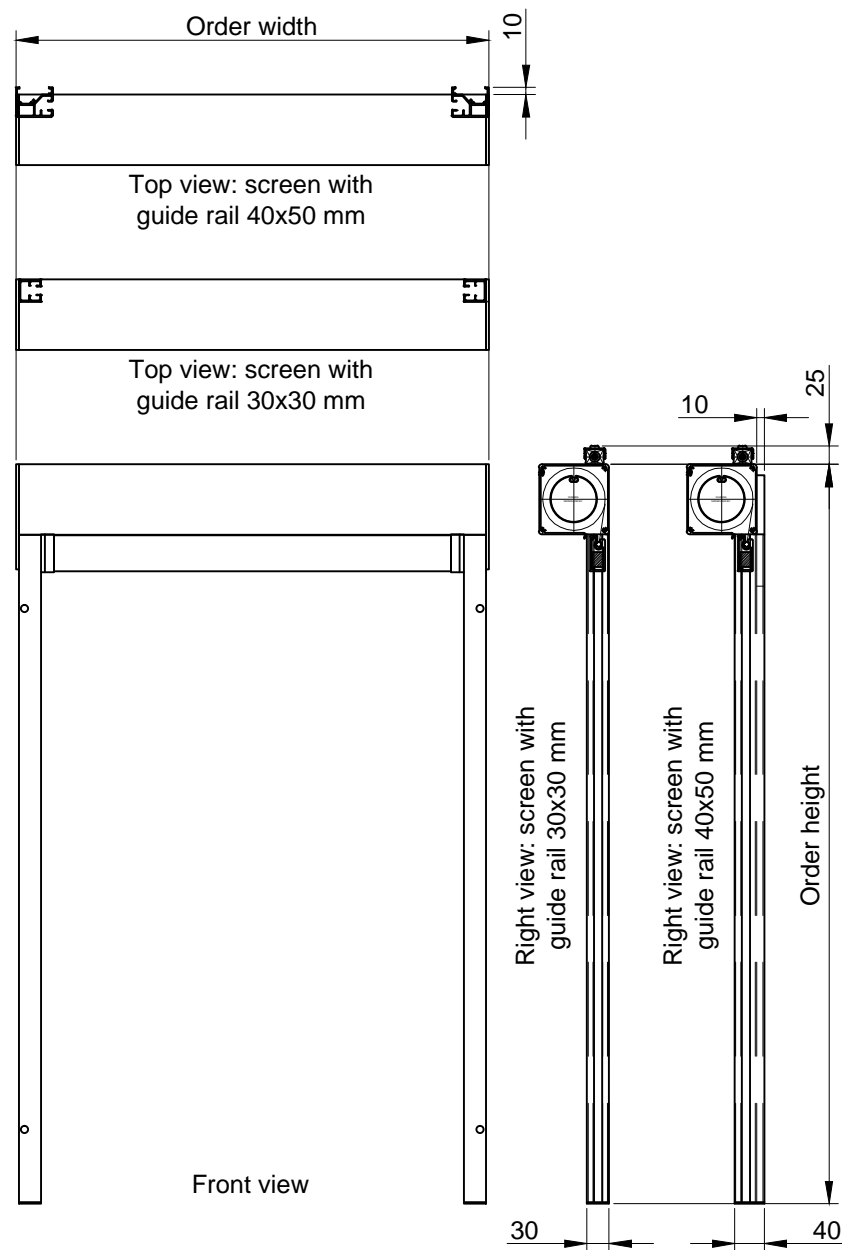
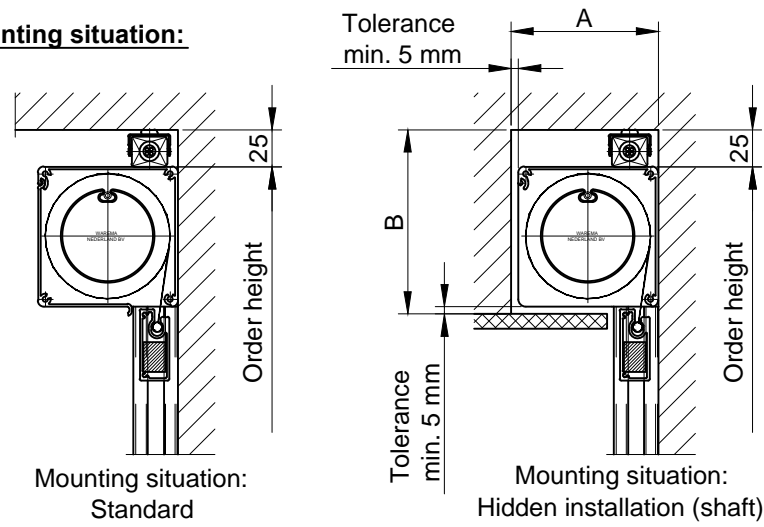


Order dimensions:



Mounting situation:



Dimensions shaft (in case of hidden installation + guide rail 30x30 mm):

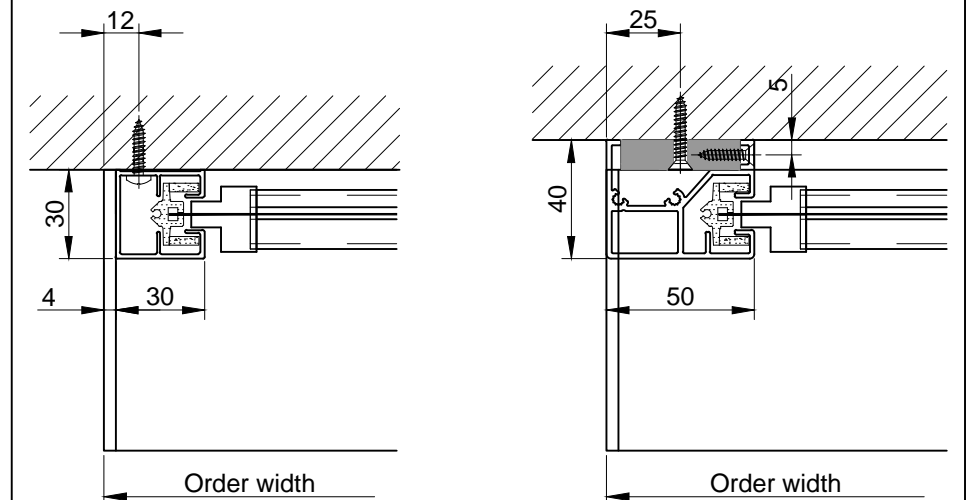
- Dimension A = width cover panel + 5 mm
- Dimension B = height cover panel + 5 + 25 mm

Dimensions shaft (in case of hidden installation + guide rail 40x50 mm):

- Dimension A = width cover panel + 5 + 10 mm
- Dimension B = height cover panel + 5 + 25 mm

In case of a hidden installation the cover panel is mill finished without a inspection cover.

Typ guide rail:



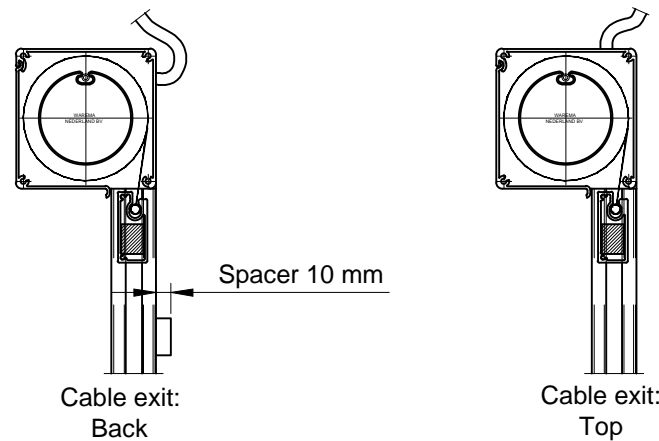
Guide rail 30x30 mm

- Order width = outside box (cover panel + end caps).
- Box will be installed on the guide rails.

Guide rail 40x50 mm

- Order width = outside box (cover panel + end caps).
- Box will be installed separately from the guide rails.

Position cable exit:



- When the cable comes out of the back of the cover panel. The guide rail 30x30 mm must be filled up with a spacer 10 mm.
- The motor has a cable length of 300 mm with a male connector (Hirschmann stas-3), the female connector (Hirschmann stak-3) is delivered separately.



Orderno.: -	Rev.: -	Rev. date: -
Project: -	Drawingno.: 1	
-	Scale: -	
Desc: Technical data sheet	Drawn by: D.S.	
Screen ZipS (single units)	Date: 06-03-14	